

PRODUCT DATA SHEET

1NO START CONTACT



DESCRIPTION

It is made of quality materials and is a solid and durable product in terms of its structure.
It is included in Ø22mm Button Series Accessories.
It has a long lifespan.

FEATURES

Provides 10,000,000 electrical cycles for long-lasting, reliable use.
Lightweight, easy to install and configure.
Easily removable and adjustable. An IP20 (ingress protection) rating means it is touch resistant for safe operation.
Protective heat treatment to prevent overheating.

MARKINGS

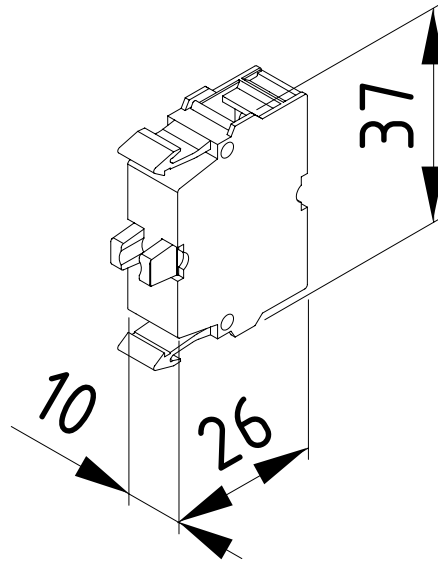


- According to CE

PRODUCT DATA SHEET

1NO START CONTACT

SECTIONS AND DIMENSIONS



PRODUCT CODE	DESCRIPTION
A - 10	1NO Start Contact